

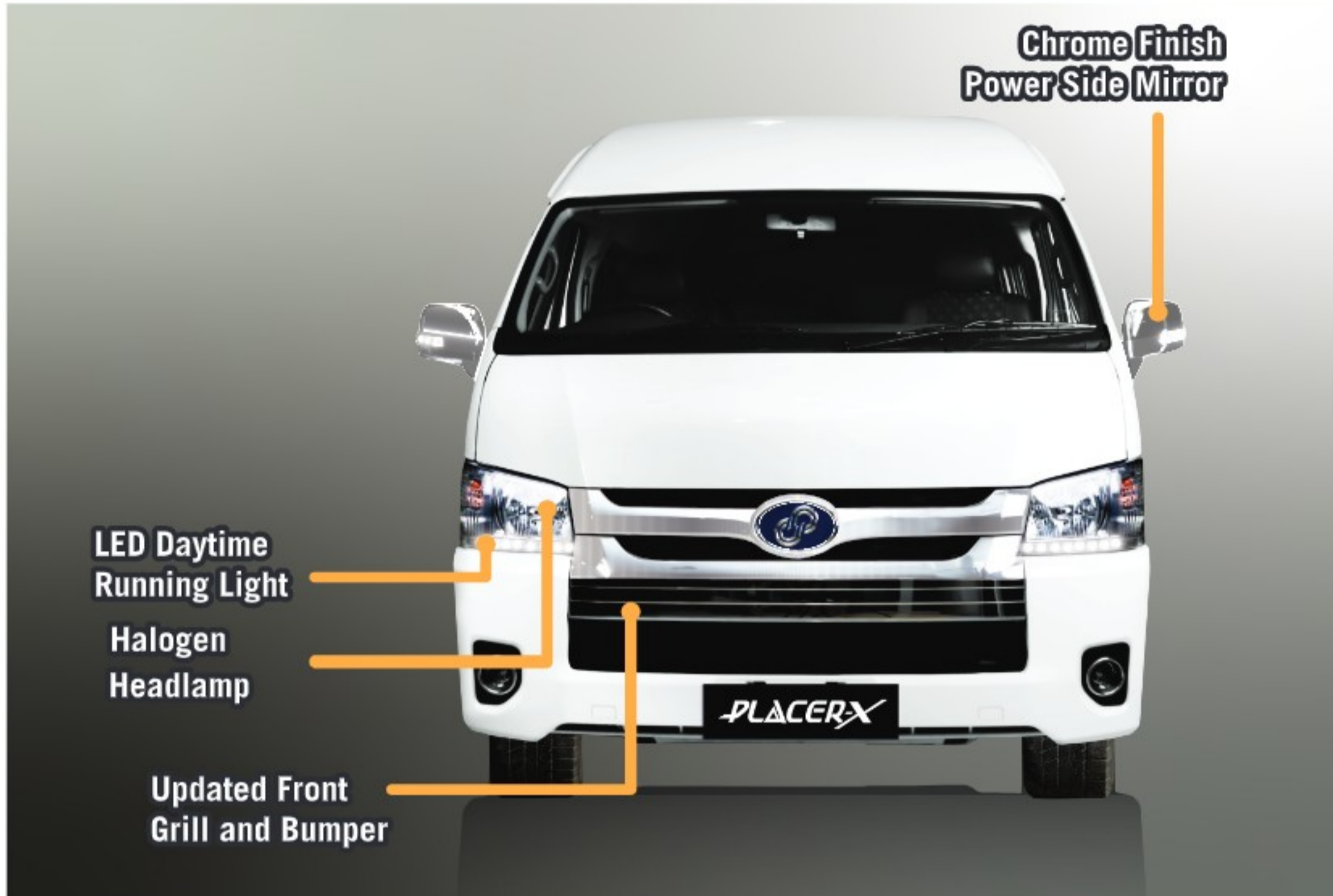
# PLACER-X



*Your Spacious Trip!*



## REFRESHED LOOK



## DRIVING



## COMFORT



Premium Semi Leather Seats with 18 USB Points

## INTERIOR



# POWERTRAIN

**GREEN DIESEL ENGINE**  
**EURO IV**

**JAPANESE TECHNOLOGY**

DISPLACEMENT	<b>3.0L</b>
RATED OUTPUT (kW(HP)/rpm)	<b>110 (149) / 3400</b>
MAX TORQUE (N.m/rpm)	<b>350/1800-2600</b>
COMPRESSION RATIO	<b>17.3:1</b>

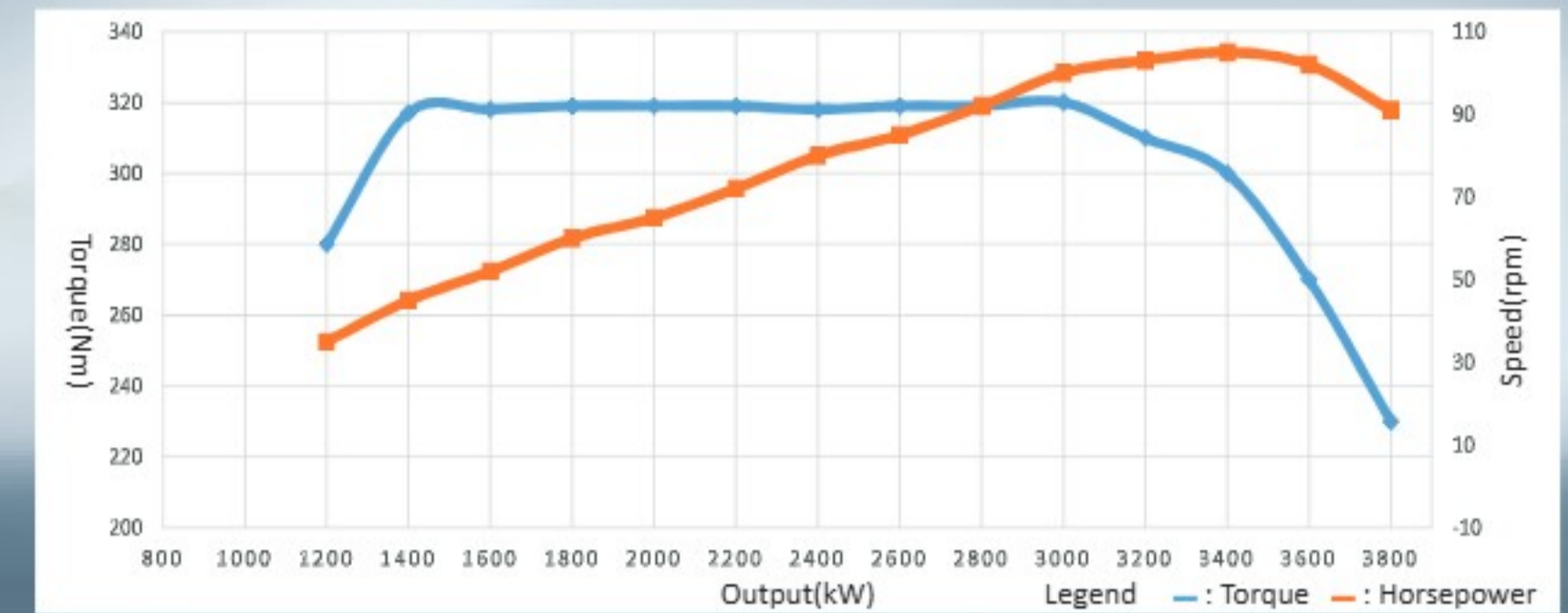


### HIGH CAPACITY TURBO CHARGER

To achieve the maximum power & torque by lower engine capacity and hence improve fuel efficiency



## DK5 ENGINE

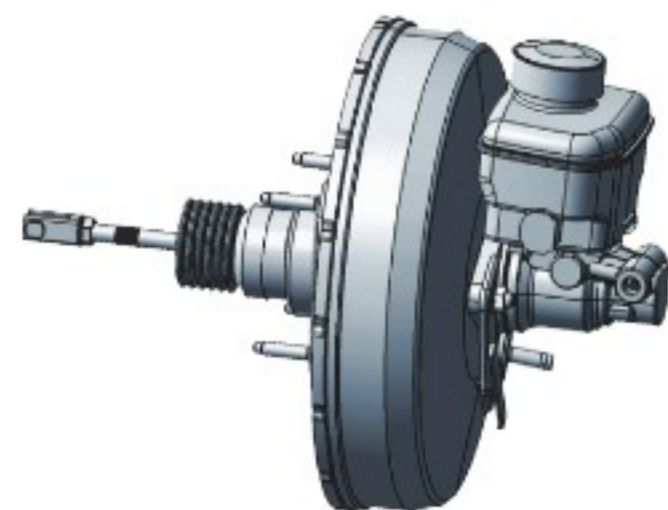
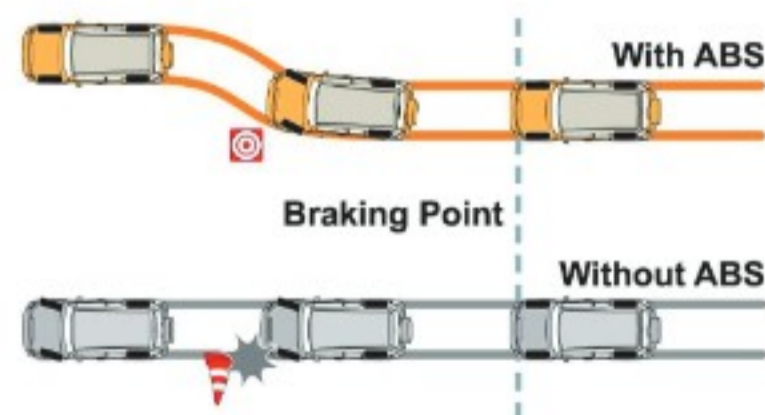


TRANSMISSION	GEAR RATIO						
	1	2	3	4	5	6	R
3.0L 6 SPEED MANUAL	4.313	2.330	1.436	1.000	0.838	0.696	4.220

# ACTIVE SAFETY

### ABS (ANTI LOCK BRAKING SYSTEM)

Keeps wheels from locking and skidding while braking. It improves Placer-X's control and maximizes braking effects on various road conditions, speed, loading etc. to maximize stopping power.



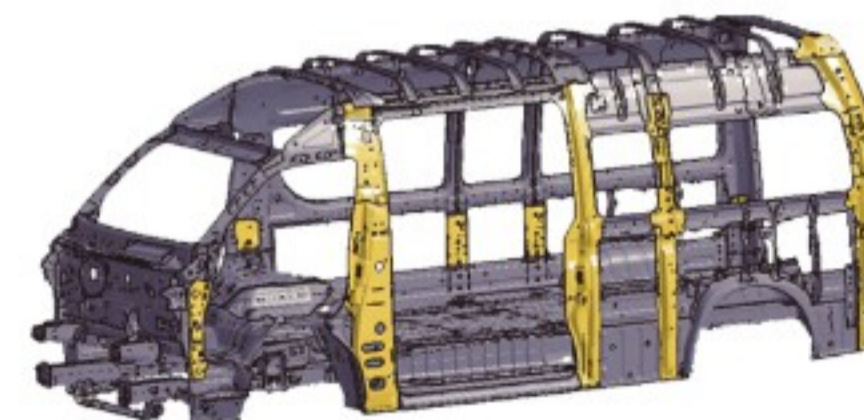
### INTELLIGENT BRAKE ASSISTANCE SYSTEM

Commonly equipped in luxury sedan car will automatically respond to emergency shorten the braking distance.

# PASSIVE SAFETY

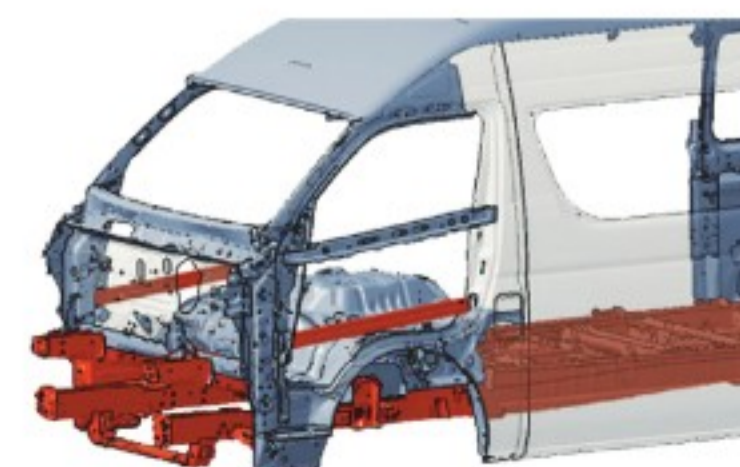
### BODY FRAME

Anti-overtum body frame made of strengthened substantially improves body firmness and reduces noise and vibration during driving.



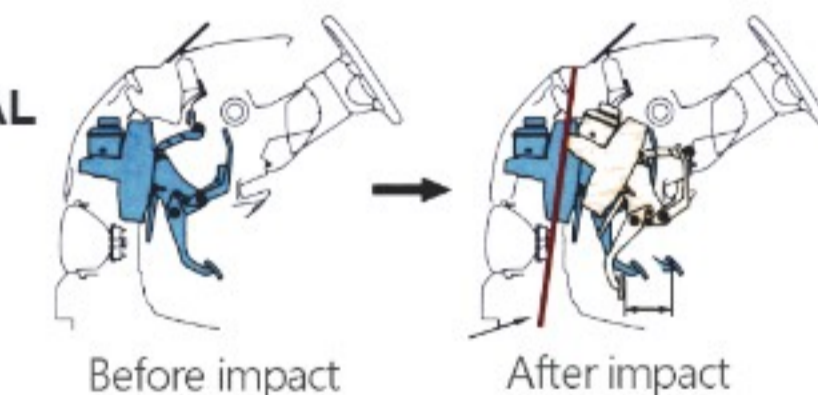
### CRUMPLE ZONES

The Placer-X's crumple zones construction combined with upper, lower and side impact beams will absorb the collision energy for class-leading safety.



### ENERGY-ABSORBING DEVICE OF BRAKE PEDAL

This limits the degree of the brake pedal intrusion towards driver to minimize injury of legs.



### ENERGY-ABSORBING DEVICE OF STEERING COLUMN

In frontal collision, the steering column will contract at several points and away from driver to minimize the risk of injury.



# Specification

# Placer-X

ENGINE	
Engine	DKS
Engine Type	In Line 4 Cylinder, 16-valve, Common Rail Turbocharged With Intercooler, Diesel Engine
Bore x Stroke	96x103
Emission Standard	EURO-IV
Displacement (L)	2.982
Rated Output (kW(HP)/rpm)	110(149)/3400
Max. Torque (N.m/rpm)	350/1800-2600
Compression Ratio	17.3 : 1
Top Speed *	≥ 110km/h
Fuel Standard	Diesel
Fuel Tank Capacity	70 Litre
DRIVING SYSTEM	
Transmission Type	Manual 6 - Speed
Gear Ratio	1st: 4.3134, 2nd: 2.330, 3rd: 1.4364, 4th: 1.0, 5th: 0.838, 6th: 0.696, Reverse: 4.220
Clutch	Single disc, Hydraulic Control
Driving Type	Front Engine, Rear Drive
Brake System	ABS+EBD, Intelligent Brake Assistance System Front Double Pot Disc; Rear Drum
Suspension	Front Transverse Double Wishbone Independent Suspension, Rear Variable Rate Leaf Spring
TECHNICAL DIMENSION	
Overall LxWxH (mm)	5990 x 1880 x 2285
Wheelbase (mm)	3720
Ground Clearance (mm)	≤ 155
Gross Vehicle Weight (kg)	4000
Curb Weight (kg)*	2500
Seating Capacity	17 Seats
Tire	215/75R 16C
Minimum Turning Radius (m)	≤ 6.25
FEATURES AND ACCESSORIES	
Audio Systems	Display Audio With 7" Touch Screen LCD, MP3, USB, AUX & Bluetooth
Stereo Speaker	6 pcs
Reverse Camera	•
Reverse Sensor	•
Cabin Light	•
Ion Air Purifier	2 pcs
Seat Material	Semi Leather
Last Row Hanging Seat	•
Intermittent Front Wiper, Rear Wiper	•
Rear Windscreen with Demister	•
Tilttable Steering wheel	•
Central Locking	•
Remote Control	•
Side Mirror with Chrome-Plate and LED Turning Signal Lamp	•
Side Mirror Adjustment	Power
High-Mounted 3rd Brake Lamp	•
Projection Headlamp with DRL	•
Front Fog Lamp	•
Wheel Size	16" Alloy
Air-Conditioner-Front	•
Air-Conditioner-Rear	Overhead Air Vents
Rear Evaporator	Double
Middle Console Box with 2 Cup Holder	•
Luxury PVC Roof Lining	•
PVC Floor Mat	•
Moonroof	•
Silding Window	4
Power Window-Driver & Co-driver	•
Anti-Glare Rear View Mirror	•
Seat Belt	3 Point Seat belt



**GOLD AWARD : THE PREFERRED VEHICLE BY TOURISM INDUSTRY**



**5 YEARS or 200,000KM WARRANTY\***

**24/7 C.A.M. EMERGENCY HOTLINE 03-78770933**

**NATIONWIDE SERVICE CENTRE**

**C.A.M R&A MARKETING SDN BHD**

CONSISTENT | ACTIVE | MOBILE Sole Distributor of CAM

Sendok Group Building, Lot 1564, Batu 4, 42100 Klang, Selangor Darul Ehsan, Malaysia.  
Email: info@sendokgroup.com Tel: +603-3345 5600 Fax: +03-3291 9658

Find us on **CAM Malaysia** www.cammalaysia.com.my

A Member Of **Sendok Group**

Branch & Dealer Chop

Think Van, Think CAM

V1\_022024

\* Data collected under testing condition. The result may differ due to different driving condition, overall vehicle weight etc.

Disclaimer: All features & specification shown in this brochure is subject to change without prior notice and may vary according to locality. The color(s) of the vehicle(s) and interior shown here in may slightly differ from actual vehicle.